

# Hotpoint Service and Spares

**FOR SERVICE:** If you have a problem with your appliance ring your local Service Office.  
**FOR SPARES and ACCESSORIES:** To purchase spares and accessories send your Accessories Order Form to your Spares Centre. If the accessory or spare part you want is not on the form, contact your Spares Centre for prices and availability.  
 Please address all correspondence to Hotpoint Spares Centre or Hotpoint Service Office as applicable.

Service Offices and Spares Centres are open between 8.00am-5.00pm Monday to Friday, except on Public Holidays. 8.30am-12.30pm on Saturdays.

■ Service Office and Spares Centre  
 ● Service Office only

## EAST

● **ESSEX:** Industrial Buildings, Beehive Lane, Chelmsford, CM2 9TF.  
 Post Codes RM & IG Tel: (0245) 492433  
 Remainder of Essex Tel: (0245) 269931

● **PETERBOROUGH:** Galla Road, PE2 9JB. Tel: (0733) 84741  
 Spares Administration Dept. Tel: (0733) 555520

## LONDON

● **WEMBLEY:** 68 East Lane, HA9 7PD. Tel: 081-904 4399  
 S. Heris and Middlesex. Tel: 081-908 4722  
 Post Codes N, NW, E, C. Tel: 081-908 4722  
 Post Codes W, WC, SE, SW Tel: 081-908 2511  
 Tel: 081-904 0201

## MIDLANDS

● **BIRMINGHAM:** Westgate, Aldridge, W. Midlands, WS9 8UX.  
 Post Codes B Tel: (0922) 743374  
 All other Post Codes Tel: (0922) 743376

For Spares Tel: (0922) 743377

● **NOTTINGHAM:** Ashing Street, NG2 3JB. For Spares Tel: (0602) 869387  
 Tel: (0602) 862431/869432

● **STOKE:** West Ave, Nelson Estate, Tale, ST17 1TN. Tel: (0782) 774511

## NORTH EAST

● **WASHINGTON:** 8 Bede House, Tower Road, Glover Est, District 11, NE37 2SH.  
 Tel: 091-477 3500/419 3535  
 Sandbeck Lane, LS22 4TW.  
 Tel: (0937) 581267/581444 For Spares Tel: (0937) 581221

## NORTH WEST

● **KENDAL:** Marlford House, 26 Highgate, LA9 4SX. Tel: (0539) 724463  
 44/46 Station Road, Heaton Mersey, Stockport, SK4 3DT.  
 Manchester North Tel: 061-432 0513  
 Manchester South Tel: 061-442 8677  
 Tel: 061-432 0255

● **METHERTON:** 7 Bridle Way, Merseside. Tel: 051-525 2342/524 2339

## SCOTLAND

● **ABERDEEN:** Holbeck House, 88 Carden Place, AB1 1UL. Tel: (0224) 642283  
 35 West Bowling Green Street, Leith, EH6 5NK. Tel: 031-554 1431  
 West Lodge Road, Blythswood Estate, P44 9EN.  
 Tel: 041-886 6241 For Spares Tel: 041-886 5611

## SOUTH

● **KENT:** Larkfield Trading Est, New Hythe Lane, Larkfield, ME20 6SW.  
 CT, DA, ME & TN Kent Post Codes Tel: (0622) 716571  
 CR, KT, RH, SM Surrey & BR Kent Post Codes (0622) 790707  
 GU Post Codes in Surrey Tel Southampton (0703) 867374  
 Tel: (0622) 716631

● **SOUTHAMPTON:** Unit B, S. Hampshire Ind Park, Salisbury Rd, Totton, SO40 3SA.  
 Tel: (0703) 861981/867374 For Spares Tel: (0703) 867933  
 1 Kingswood, North St, Halesham, BN27 1DD. Tel: (0323) 842733  
 69 Mulvey Plain, PL4 6AH. Tel: (0352) 262631

## WALES

● **NORTH:** Conwy Rd, Llandudno Junction, LL31 9BE. Tel: (0482) 573636  
 18 Western Ave, Bridgend Ind Estate, Bridgend, CF31 3SL.  
 Post Codes CF, SA & ST23-25 Tel: (0656) 064121  
 Post Codes BS, GL, (not SS), RH, ST15-18, LD1-18, NP. Tel: (0656) 655554  
 Tel: (0656) 766111

## SOUTH:

For Service

## For Spares

## IRELAND

● **NORTHERN:** 256 Ormeau Road,  
 Belfast, BT7 2FL.  
 Tel: (0232) 647711  
 49 Airways Ind Estate,  
 Dublin 17.  
 Tel: Dublin 426088  
 Tel: Dublin 426836

● **EIRE:** For Service  
 For Spares

For Service  
 For Spares

## CHANNEL ISLANDS

— Service provided by Agents.  
 Normal Guarantees apply and all Service Schemes are available

● **JERSEY:** 19 Don Street, St. Helier.  
 Tel: (0534) 21625  
 Clos D'Ormes, Portlet,  
 St Clements. Tel: (0534) 54808

● **GUERNSEY & SARK:** Valois Stores, Grande Rue, St Martins,  
 Guernsey. Tel: (0481) 38422  
 or  
 Barras Lane, Vale  
 Tel: (0481) 51610  
 32 High Street,  
 Tel: (0481) 822686

● **ALDERNEY:** 32 High Street,  
 Tel: (0481) 822686

● **ISLE OF MAN** — Service provided by Agents.  
 Normal Guarantees apply and all Service Schemes are available

from 5 Dunning St, Douglas.  
 Tel: (0624) 673233  
 or  
 Torridge Works,  
 Cronkhourne Village, Douglas,  
 Tel: (0624) 676066  
 17 Ridgeway Street, Douglas,  
 Tel: (0624) 2581/2584/8

● **SHETLAND, ORKNEY & WESTERN ISLES** —  
 Service provided by Agents. Normal Guarantees apply, but  
 Service Schemes are NOT available

● **SHETLAND:** Fort Road, Lerwick.  
 Tel: (0959) 2557

● **ORKNEYS:** Halstone Ind Estate, Kirkwall.  
 Tel: (0856) 5457

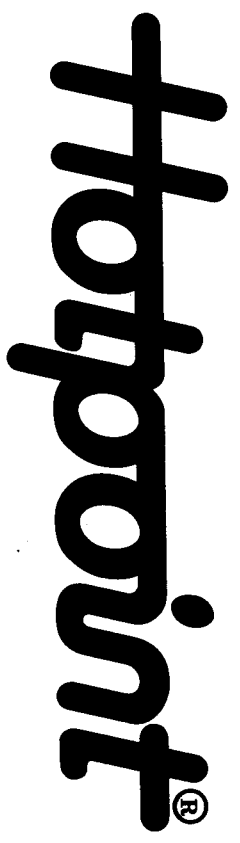
● **WESTERN ISLES:** 27 Bayhead Street,  
 Stromoway, Isle of Lewis  
 Tel: (0851) 3387

● **OTHER ISLANDS:** Local Hydro Electric Shops.  
 EXCEPT ARRAN,  
 BUTE & SKYE —  
 Which are covered by Hotpoint.

# HOTPOINT HANDBOOK

## REFRIGERATORS

# MODELS 8232, 8217 AND 8242



In accordance with its policy of progressive product design,  
 the Company reserves the right to alter specifications.  
 Hotpoint Ltd, Peterborough, PE2 9JB, England  
 225/271737

# Your new Hotpoint Refrigerator

Using your new fridge is very simple. Nevertheless, for your own safety and to get the best results it is important that you read right through this handbook **before** using your fridge for the first time.

## Electrical Requirements

We recommend that this appliance is connected to the mains supply via a suitable switched socket in a readily accessible position.

All Hotpoint appliances come complete with a fitted plug. The plug on your fridge has a 13A fuse. If the plug does not fit your sockets, a new plug can be fitted. Cut off the old plug and throw it away, do not insert it into a socket elsewhere in the house as this could cause a shock hazard.

## WARNING: THIS APPLIANCE MUST BE EARTHED.

### IMPORTANT: Fitting a Different Plug:

The wires in the mains lead are coloured in accordance with the following code:

- Green and Yellow – Earth
- Blue – Neutral
- Brown – Live

If you fit your own plug the colours of these wires may not correspond with the identifying marks on the plug terminals. This is what you have to do:

1. Connect the green and yellow (Earth) wire to the terminal in the plug marked 'E' or with the symbol  $\equiv$ , or coloured green or green and yellow.
2. Connect the blue (Neutral) wire to the terminal in the plug marked 'N' or coloured black.
3. Connect the brown (Live) wire to the terminal marked 'L' or coloured red.

With alternative plugs a 5A fuse must be fitted either in the plug or adaptor or in the main fuse box. In the event of replacing a fuse in the plug supplied, a 13A ASTA approved fuse to BS 1362 must be fitted.

If the plug is the moulded on type the fuse cover must be refitted when changing the fuse. In the event of losing the fuse cover the plug must **not** be used until a replacement fuse cover has been obtained and fitted. A new fuse cover can be obtained from your nearest Hotpoint Spares Centre or local Electricity Company. The colour of the correct replacement fuse cover is that of the coloured marks or insert in the base of the plug.

## Mains Lead Replacement

If the mains lead on this appliance needs replacing at any time, it must be replaced by a special lead which is obtainable from your nearest Hotpoint Service Office (see back page). A charge will be made for the replacement of the mains lead if you have damaged the lead or require a longer lead.

**WARNING: HOW TO AVOID ACCIDENTS TO CHILDREN. WHEN DISCARDING AN OLD FRIDGE OR FREEZER BE CERTAIN TO MAKE THE LOCK UNUSABLE. IF POSSIBLE, REMOVE THE DOORS AND DISCARD SEPARATELY.**

**DO NOT ATTEMPT TO STAND ON TOP OF YOUR APPLIANCE, IT IS NOT DESIGNED FOR SUCH USE AND YOU COULD INJURE YOURSELF OR DAMAGE THE APPLIANCE BY SUCH ABUSE.**

**CHILDREN SHOULD NOT BE ALLOWED TO PLAY WITH THE APPLIANCE OR TAMPER WITH THE CONTROLS.**

# Hotpoint Service Cover

## Satisfaction Guaranteed or Your Money Back

Hotpoint gives you a unique 'Satisfaction Guaranteed' promise – valid for ninety days after you have purchased your Hotpoint product. If there is a problem with your Hotpoint appliance just call your Hotpoint Service Office. If necessary, we will arrange for an engineer to call. If the problem is not resolved by us under this Guarantee, Hotpoint will replace your appliance or, if you prefer, give you your money back. This Guarantee is additional and subject to the terms of Hotpoint's Five Year Parts Guarantee.

## Hotpoint's Free Five Year Guarantee

From the moment your appliance is delivered, Hotpoint guarantees it for **FIVE YEARS**.

- In the Five Years all replacement parts are **FREE** provided they are fitted by our own Service Engineer. During the first year our Engineer's time and labour is also free. Our Guarantee also covers loss of food in our Refrigeration and Freezer products up to £250 during the first year.
- After the first year we will charge for our Engineer's time and labour. We do, however, operate a range of Service Plans (see opposite) which for an annual payment enables you to cover any repair costs which may be necessary.
- All our service repairs are guaranteed for twelve months in respect of our labour and any parts fitted.
- The appliance must be used in the United Kingdom and must not be tampered with or taken apart by anyone other than our own Service Engineer.
- You may, however, buy parts which can be safely fitted without specialist knowledge or equipment. The correct fitting of such parts, provided they are genuine Hotpoint spares, will not affect your Guarantee. Parts are available from our main Hotpoint Spares Centres (see back page).
- Our Guarantee does not cover the cost of any repair which is needed because of power cuts, accidents or misuse. Nor does it cover the cost of any visit to advise you on the use of the appliance. Please read the instruction book thoroughly.
- If at any time during the Guarantee period we are unable to repair your appliance, we will refund any repair costs paid to us in the previous twelve months. We will also offer you a new appliance at a reduced charge instead of a repair.
- Our Guarantee is in addition to and does not affect your legal rights.
- Should you need independent advice on your consumer rights, help is available from your Consumer Advice Centre, Law Centre, Trading Standards Department and Citizens Advice Bureau.

- All Hotpoint servicing is done by our own Service Organisation located throughout the United Kingdom and Southern Ireland. It will be happy to deal with any problems.

## Hotpoint's Service Care

Whether you have just one or a number of Hotpoint appliances in your kitchen Hotpoint has a range of Service Schemes to give you complete peace of mind.

## Service Cover

A single payment covers you for all repairs during the period of cover, which can be from 1 to 4 years. There is also an option of Service Cover with Maintenance at an additional cost. This includes an annual Electrical and Safety check and replacement of any parts as necessary. For 1 year contracts this takes place towards the end of the contract period.

## Kitchen Cover

An annual payment covers you for all repairs for all your Hotpoint appliances which are less than ten years old. It also covers the cost of loss of food up to £250 in our refrigeration and freezer products. There is also an option of Kitchen Cover with Maintenance at an additional cost. Any additional Hotpoint appliances purchased after you have joined Hotpoint Kitchen Cover will automatically be included during the annual period of cover without further charge.

## Appliance Registration

To ensure that you have the opportunity to benefit from any of the above Service Schemes you should complete and return immediately the Appliance Registration Form supplied with your appliance. Full details and costs of our Service Schemes together with an application form will be sent to you at the end of the first year of the guarantee.

## Annual Safety/Maintenance Checks

Hotpoint strongly recommends that all its appliances are regularly checked for electrical and mechanical safety whether or not they are covered by a Service Plan.

## Proof of Purchase

For future reference please attach your purchase receipt to this booklet and keep it in a safe place.

## Spare and Accessories

Spare parts and accessories can be ordered from your local Hotpoint Spares Centre (listed on the back page), using the order form enclosed.

**NOTE:** Our Engineer will use every effort to avoid damage to floor coverings and adjacent units when carrying out repairs/service work but in locations where the Engineer advises you that it will be impossible to move the appliance without risk of damage, he will only proceed with your approval that no liability is accepted.

# Your new Hotpoint Refrigerator

Using your new fridge is very simple. Nevertheless, for your own safety and to get the best results it is important that you read right through this handbook **before** using your fridge for the first time.

## Electrical Requirements

We recommend that this appliance is connected to the mains supply via a suitable switched socket in a readily accessible position.

All Hotpoint appliances come complete with a fitted plug. The plug on your fridge has a 13A fuse. If the plug does not fit your sockets, a new plug can be fitted. Cut off the old plug and throw it away, do not insert it into a socket elsewhere in the house as this could cause a shock hazard.

## WARNING: THIS APPLIANCE MUST BE EARTHED.

### IMPORTANT: Fitting a Different Plug:

The wires in the mains lead are coloured in accordance with the following code:

- Green and Yellow – Earth
- Blue – Neutral
- Brown – Live

If you fit your own plug the colours of these wires may not correspond with the identifying marks on the plug terminals. This is what you have to do:

1. Connect the green and yellow (Earth) wire to the terminal in the plug marked 'E' or with the symbol  $\equiv$ , or coloured green or green and yellow.
2. Connect the blue (Neutral) wire to the terminal in the plug marked 'N' or coloured black.
3. Connect the brown (Live) wire to the terminal marked 'L' or coloured red.

With alternative plugs a 5A fuse must be fitted either in the plug or adaptor or in the main fuse box. In the event of replacing a fuse in the plug supplied, a 13A ASTA approved fuse to BS 1362 must be fitted.

If the plug is the moulded on type the fuse cover must be refitted when changing the fuse. In the event of losing the fuse cover the plug must **not** be used until a replacement fuse cover has been obtained and fitted. A new fuse cover can be obtained from your nearest Hotpoint Spares Centre or local Electricity Company. The colour of the correct replacement fuse cover is that of the coloured marks or insert in the base of the plug.

## Mains Lead Replacement

If the mains lead on this appliance needs replacing at any time, it must be replaced by a special lead which is obtainable from your nearest Hotpoint Service Office (see back page). A charge will be made for the replacement of the mains lead if you have damaged the lead or require a longer lead.

**WARNING: HOW TO AVOID ACCIDENTS TO CHILDREN. WHEN DISCARDING AN OLD FRIDGE OR FREEZER BE CERTAIN TO MAKE THE LOCK UNUSABLE. IF POSSIBLE, REMOVE THE DOORS AND DISCARD SEPARATELY.**

**DO NOT ATTEMPT TO STAND ON TOP OF YOUR APPLIANCE, IT IS NOT DESIGNED FOR SUCH USE AND YOU COULD INJURE YOURSELF OR DAMAGE THE APPLIANCE BY SUCH ABUSE.**

**CHILDREN SHOULD NOT BE ALLOWED TO PLAY WITH THE APPLIANCE OR TAMPER WITH THE CONTROLS.**

# Hotpoint Service Cover

## Satisfaction Guaranteed or Your Money Back

Hotpoint gives you a unique 'Satisfaction Guaranteed' promise – valid for ninety days after you have purchased your Hotpoint product. If there is a problem with your Hotpoint appliance just call your Hotpoint Service Office. If necessary we will arrange for an engineer to call. If the problem is not resolved by us under this Guarantee, Hotpoint will replace your appliance or, if you prefer, give you your money back. This Guarantee is additional and subject to the terms of Hotpoint's Five Year Parts Guarantee.

## Hotpoint's Free Five Year Guarantee

From the moment your appliance is delivered, Hotpoint guarantees it for **FIVE YEARS**.

- In the Five Years all replacement parts are **FREE** provided they are fitted by our own Service Engineer. During the first year our Engineer's time and labour is also free. Our Guarantee also covers loss of food in our Refrigeration and Freezer products up to £250 during the first year.
- After the first year we will charge for our Engineer's time and labour. We do, however, operate a range of Service Plans (see opposite) which for an annual payment enables you to cover any repair costs which may be necessary.
- All our service repairs are guaranteed for twelve months in respect of our labour and any parts fitted.
- The appliance must be used in the United Kingdom and must not be tampered with or taken apart by anyone other than our own Service Engineer.
- You may, however, buy parts which can be safely fitted without specialist knowledge or equipment. The correct fitting of such parts, provided they are genuine Hotpoint spares, will not affect your Guarantee. Parts are available from our main Hotpoint Spares Centres (see back page).
- Our Guarantee does not cover the cost of any repair which is needed because of power cuts, accidents or misuse. Nor does it cover the cost of any visit to advise you on the use of the appliance. Please read the instruction book thoroughly.
- If at any time during the Guarantee period we are unable to repair your appliance, we will refund any repair costs paid to us in the previous twelve months. We will also offer you a new appliance at a reduced charge instead of a repair.
- Our Guarantee is in addition to and does not affect your legal rights.
- Should you need independent advice on your consumer rights, help is available from your Consumer Advice Centre, Law Centre, Trading Standards Department and Citizens Advice Bureau.

- All Hotpoint servicing is done by our own Service Organisation located throughout the United Kingdom and Southern Ireland. It will be happy to deal with any problems.

## Hotpoint's Service Care

Whether you have just one or a number of Hotpoint appliances in your kitchen Hotpoint has a range of Service Schemes to give you complete peace of mind.

### Service Cover

A single payment covers you for all repairs during the period of cover, which can be from 1 to 4 years. There is also an option of Service Cover with Maintenance at an additional cost. This includes an annual Electrical and Safety check and replacement of any parts as necessary. For 1 year contracts this takes place towards the end of the contract period.

### Kitchen Cover

An annual payment covers you for all repairs for all your Hotpoint appliances which are less than ten years old. It also covers the cost of loss of food up to £250 in our refrigeration and freezer products. There is also an option of Kitchen Cover with Maintenance at an additional cost. Any additional Hotpoint appliances purchased after you have joined Hotpoint Kitchen Cover will automatically be included during the annual period of cover without further charge.

### Appliance Registration

To ensure that you have the opportunity to benefit from any of the above Service Schemes you should complete and return immediately the Appliance Registration Form supplied with your appliance. Full details and costs of our Service Schemes together with an application form will be sent to you at the end of the first year of the guarantee.

### Annual Safety/Maintenance Checks

Hotpoint strongly recommends that all its appliances are regularly checked for electrical and mechanical safety whether or not they are covered by a Service Plan.

### Proof of Purchase

For future reference please attach your purchase receipt to this booklet and keep it in a safe place.

### Spare parts and Accessories

Spare parts and accessories can be ordered from your local Hotpoint Spares Centre (listed on the back page), using the order form enclosed.

**NOTE:** Our Engineer will use every effort to avoid damage to floor coverings and adjacent units when carrying out repairs/service work but in locations where the Engineer advises you that it will be impossible to move the appliance without risk of damage, he will only proceed with your approval that no liability is accepted.

# Contents

## THIS BOOK COVERS MODELS 8232, 8217 AND 8242

	Page
<b>Get to know your Fridge</b> .....	4
<b>Installing your Fridge</b> .....	5-6
Where to put your Fridge	
Installing next to a Freezer	
Fitting decor panels to match your kitchen units	
<b>Getting your Fridge ready for use</b> .....	6-7
Starting and Running In	
<b>Controlling the Temperature</b> .....	7-8
Frozen Food Compartment	
Fridge Compartment	
<b>Storing Food</b> .....	9
In the Fridge Compartment	
In the Frozen Food Compartment	
In the Chiller Tray	
<b>Caring for your Fridge</b> .....	10-12
Defrosting	
Cleaning	
Table Top	
Going Away	
Replacing the Interior Light	
Do's and Don'ts	
<b>If your Fridge won't work</b> .....	13-15
Repositioning the door hinge	
Hotpoint Service Cover	
<b>Hotpoint Service Offices and Spares Centres</b>	<b>Back Page</b>

## Retention of this Instruction Book

This Instruction Book must be kept handy for reference as it contains important details on the safe and proper use of the appliance.

If you sell or pass the appliance to someone else, or move house and leave it behind, make sure this Book is also provided so the new owner can become familiar with the appliance and safety warnings.

If the Book is lost or damaged a copy may be obtained from Hotpoint Ltd, Celta Road, Peterborough, PE2 9JB.

### Repositioning the door hinge

Just follow the step by step instructions below:

**Tools Required:** A 7mm/8mm A/F Spanner or a No. 2 Pozidriv.

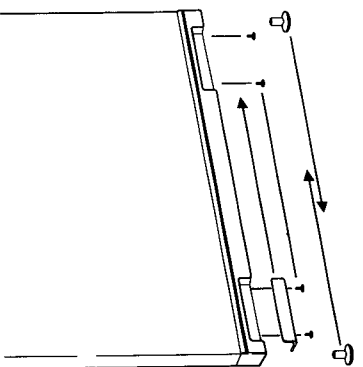
1. Remove all loose items/fittings from inside the fridge.
2. Carefully lay the fridge on its back (you may need a second person to support the fridge). **Take care to avoid damage to the pipework by keeping it clear of the floor or by laying it on some protective material (eg. its original packaging).**
3. Unscrew and remove the two front feet.

4. Unscrew and remove the bottom hinge. Ensure any spacing washers fitted, and the fixing screws, are kept with the hinge.
5. Remove the door by gently pulling it downwards. Stand the door carefully to one side.

6. Unscrew and remove the top hinge, then replace the screws.
7. Remove the two hinge fixing screws on the top left hand side and use them to refit the top hinge.
8. Remove the plate from the front/bottom left hand side of the cabinet and refit on the right hand side where the bottom hinge was.

### 9. Preparing the door for change over.

- a) Remove the top and bottom hinge bushes and the blanking plug, with a thin blunt instrument taking care not to mark the handle. Reposition on the opposite side.
- b) Unscrew and remove the handle insert and replace the screws. Refit the insert with the screws from the left hand side.



10. Refit the door, sliding it upwards, locating the top hinge pin in the door hinge bush.

11. Fit the bottom hinge (and spacing washers) into the bottom hinge bush, ensuring the door is evenly positioned about the cabinet sides.

12. Using the two fixing screws secure the bottom hinge to the cabinet.

13. Replace the adjustable front feet, setting them 25mm from the bottom of the cabinet to the bottom of the foot for appliances 850mm high or 36mm for taller appliances.

14. Carefully stand your fridge upright (you may need assistance for this) in the required location. Adjust the front feet until all four feet are in firm contact with the floor and the appliance does not rock.

### (See Installing Your Fridge.)

15. Check the door opens and closes freely. Ensure door seal is seated evenly around the cabinet.
16. Finally put back all the loose items/fittings.

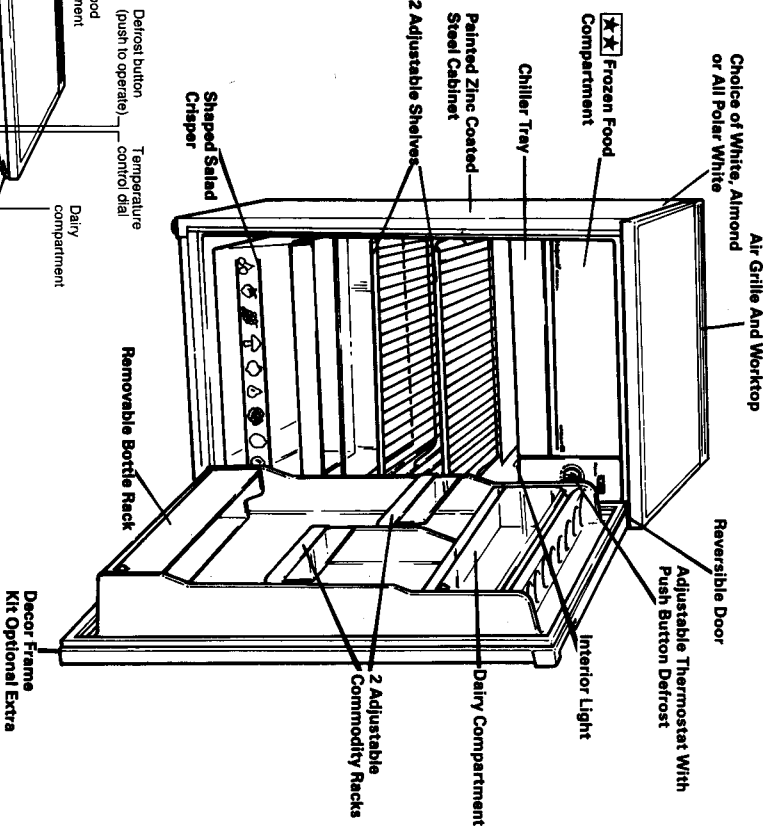
17. The fridge must be stood upright for at least 15 minutes before being switched on.

**NOTE:** If difficulties are encountered, contact your local Service Office.

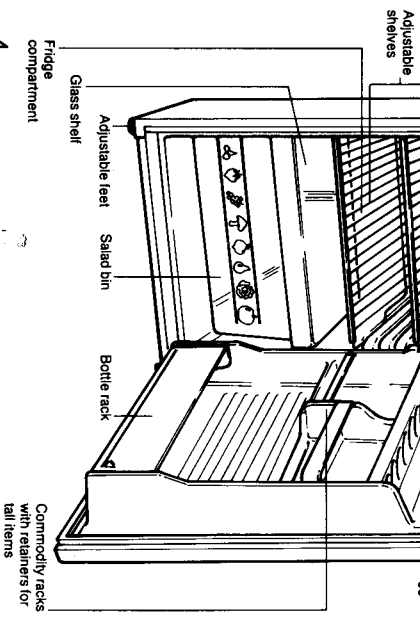
# Get to know your Fridge

## Model 8242

Model 8221: when left hand hinged the door must be able to open more than 145° (Model 8215 is similar but has only one Commodity Rack)



## Model 8232



# If your Fridge won't work

... don't panic

Just run through these quick checks before calling your nearest Hotpoint Service Office.

1. Check that the plug is firmly in the wall socket and that the power supply is on.
2. Check the power supply to the socket by plugging in another appliance.
3. If the other appliance works, check the fuse in the refrigerator's plug.
4. If you have changed the plug, check the wiring (see page 2).
5. If there is excessive noise or vibration, check that all four feet are firmly in contact with the ground (see page 5).
6. If the interior light fails to work, refer to page 11 for further instructions.

If, after following all these instructions, you are still having problems, contact your nearest Hotpoint Service Office (or local importer if outside the United Kingdom). The telephone number is shown on the back page. When you contact us we need to know:

1. Your name, address and post code.
2. Your telephone number.
3. Clear and concise details of the fault.
4. The model number (8232, 8217 or 8242), the serial number (found on the label on the underside of the front top of the appliance) and colour.
5. When it was purchased. Please put the date here  
.....
6. If you have subscribed to the Hotpoint Service Cover Plan (see opposite page).  
Make sure you have all these details before you call.

## Spare Parts

Please remember your new appliance is a complex piece of equipment.

'DIY' repairs or unqualified and untrained service people may put you in danger, could damage the appliance and might mean you lose cover under Hotpoint's Parts Guarantee.

If you do experience a problem with the appliance don't take risks; call

in Hotpoint's own Service Engineer. The address and telephone number of your nearest Hotpoint Service Office is in your local telephone directory.

Our spare parts are designed exclusively to fit only Hotpoint appliances. Do not use them for any other purpose as you may create a safety hazard.

## Do's and Don'ts

- Do--** Store raw meat and poultry below cooked foods and dairy products.
- Do--** Clean out your salad crisper regularly.
- Do--** Take off any unusable leaves on vegetables and wipe off any soil.
- Do--** Leave lettuce, cabbage, parsley and cauliflower on the stem.
- Do--** Wrap cheese firstly in greaseproof paper and then in a polythene bag excluding as much air as possible. For best results take out of the fridge compartment an hour before eating.
- Do--** Wrap raw meat and poultry loosely in polythene or aluminium foil. This prevents drying.
- Do--** Wrap fish and offal in polythene bags and store as close to the frozen food compartment as possible, the chiller tray is a good place, but follow the instructions above.
- Do--** Wrap foods which have a strong odour, or can dry out, in polythene bags, aluminium foil or place in airtight containers.
- Do--** Keep food for as short a time as possible and adhere to 'sell by' dates.
- Do--** Wrap bread well to keep it fresh.
- Do--** Chill white wines, beer, lager and mineral water in the fridge compartment before serving.
- Do--** Wrap frozen food when you buy it and put it into the frozen food compartment as soon as possible.
- Do--** Empty and refill the ice tray periodically to ensure freshness.
- Do--** Store and cook frozen foods in accordance with the instructions given on the packets that you buy.
- Do--** Defrost the frozen food compartment regularly, see pages 11 and 12.
- Do--** Package and store cooked and raw food separately.
- Do--** Always defrost frozen food thoroughly before cooking unless the instructions on the packet state otherwise.
- Don't--** Store bananas in your fridge.
- Don't--** Store melon in your fridge. It can be chilled for short periods as long as it is wrapped to avoid it flavouring other food.
- Don't--** Wash eggs as this removes their natural protective film. Wipe them instead.
- Don't--** Use eggs straight from the fridge, especially when making cakes or mayonnaise. Allow them to reach room temperature before use.
- Don't--** Let defrosting food or food juices drip onto food in your fridge.
- Don't--** Leave the door open for long periods as this will cause excessive ice formation and make the fridge more costly to run.
- Don't--** Cover the shelves with any protective materials which may obstruct air circulation through them.
- Don't--** Put liquid-filled bottles or sealed cans containing carbonated liquids (fizzy drinks, etc) in the frozen food compartment as they may burst.
- Don't--** Try to keep frozen food which has thawed; it should be eaten within 24 hours or cooked and refrozen.
- Don't--** Give children lollipops and water ices direct from the frozen food compartment. The low temperature may cause 'freezer burns' on their lips.
- Don't--** Store poisonous or dangerous substances in the fridge. Your fridge has been designed for the storage of edible foodstuffs only.
- Don't--** Consume food which has been stored for an excessive time in the fridge.

## Installing your Fridge

### Where to put your fridge

Your fridge should be placed where it is easy to use, alongside or beneath a work surface is often a good position. Avoid putting it near anything which gives off heat, a cooker or radiator for example. In such a position your fridge will have to work harder and will cost more to run and may also be damaged by the heat. Once you have decided on the most suitable place, just push the fridge back until the grille is against the wall. This automatically ensures adequate air circulation at the back of the fridge. If the fridge is placed underneath a work surface, then adequate ventilation **must** be provided to maintain operating efficiency. Make sure there is a gap of 30mm (1¼") between the top of the fridge and the underside of the work surface. If there is not enough clearance available then ventilation must be provided by fitting an air grille. This grille, Part No. 8040, is available from your retailer or nearest Hotpoint Spares Centre using the Accessories Order form supplied with your fridge. To increase efficiency and reduce the running cost of your appliance we recommend the fitting of an air grille at the rear of the work surface.

**Note: You should not stack your fridge with any other appliance. Do not attempt to stand or sit on top of the fridge; it is not designed for such use and you could injure yourself or damage the appliance by such abuse. Finally, make sure your fridge is standing correctly by carefully adjusting the two front feet by turning them clockwise or anti-clockwise, until all four feet are in firm contact with the floor.**

**Correct adjustment avoids excessive vibration and noise. A Wheel Kit Part No. 8031, for fitting to the back of your fridge, is available from your retailer or nearest Hotpoint Spares Centre using the Accessories Order Form supplied.**



### Installing next to a Freezer

This can be done in one of two ways either free standing or linked.

**Free Standing:** Just slide in next to the Freezer, but leave a gap of 50mm (2") between the two to avoid a build up of condensation. Make sure the fridge stands correctly (see above).

**Linking:** If you have the small Hotpoint Freezer, model 8732 or 8742, you can join them to make them look like one unit. The Linking Kit required is Part No. 8010 (Brown) or Part No. 8011 (White). These are available from your retailer or nearest Hotpoint Spares Centre (see back page) using the Accessories Order Form supplied with your Fridge. The kit comes complete with wheels so that the unit can be easily moved. Widths of linked appliances: 8242/8742 = 1108mm (43.6") 8232 or 8217/8732 = 998mm (39.3").

**Note: To ensure that the doors function properly you will need to change the left hand appliance so that its door hinges on the left hand side (see pages 6-7). Also make sure the two appliances stand correctly (see above).**

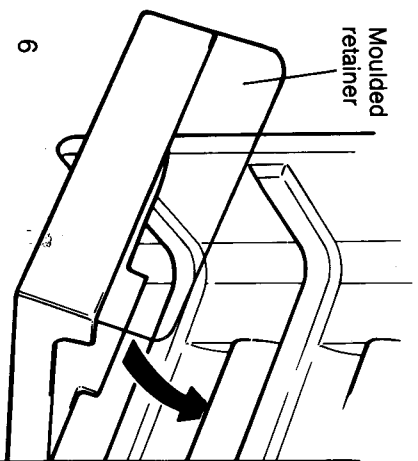
## Fitting decor panels to match your kitchen units

For that fully co-ordinated kitchen look it is possible to fit a matching decor panel to your fridge. A special trim kit is available from Hotpoint that attaches to the edges of the appliance door and enables a decor panel, up to 4mm ( $\frac{1}{8}$ " thick, to be fitted. Decor panels are available from most kitchen suppliers. Models 8232, 8217 and 8242 require trim kit Part No. 8001 (Brown) or Part No. 8004 (White).

These are available from your retailer or nearest Hotpoint Spares Centre (see back page) using the Accessories Order Form supplied with your fridge.

## Commodity rack adjustment

The commodity racks have been designed to be adjustable which enables you to make maximum use of the storage capacity of the inner door. To remove the commodity rack simply lift the front of the rack to release it from the fixing groove in the door liner. To replace the rack tilt the back of the rack and push it into the preferred fixing position (see diagram below). Ensure that the rack is securely fixed before loading by applying light downward pressure to the front of the rack.



## Cut-away shelf

For model 8221 a shelf is available (Part No. 8030), that has a section cut away. This allows tall containers to be stored on the shelf below and includes a movable cover which doubles as a can rack, for use with the cut-away shelf. Both items are available from your retailer or Hotpoint Spares Centre (see back page) using the Accessories Order Form supplied.

## Getting your Fridge ready for use

Before using your fridge for the first time the interior including the door and all removable parts should be wiped out. Use a damp cloth wrung out in either a solution of one teaspoonful of bicarbonate of soda to one pint of water or Milton diluted according to the manufacturer's instructions.

**WARNING: NEVER USE ANY HOUSEHOLD CLEANER OR DETERGENT, ABRASIVE POWDERS OR WAX POLISH. THESE NOT ONLY DAMAGE THE SURFACES, THEY ALSO LEAVE A SMELL IN THE FRIDGE.**

## Final check

Before you start using the fridge, check that

1. it is thoroughly dry inside,
2. air can circulate freely,
3. the feet have been adjusted, i.e. all four are firmly on the ground.

## Starting

Insert the plug into the socket outlet and switch on the electricity supply. Open your fridge door and the light will come on. There is a control dial on the right hand side of the fridge interior. Turning the dial clockwise

## Caring for your Fridge (cont.)

positioned on the top rack and on a low temperature programme. **Never** use any household cleaner or detergent, abrasive powders or wax polish. These not only damage the surfaces, but also leave a smell in the fridge. Before you refill the fridge ensure it is thoroughly dry.

Clean the outside of your fridge, **but not the door seal**, with a damp cloth, using a small amount of detergent, followed by a wipe down with a clean cloth. **Do not** use an abrasive powder. **The rubber door seal must be cleaned with soap and water only as detergent will damage it.**

Finally, the compressor and condenser at the back of the fridge can be carefully cleaned. Use a brush or vacuum cleaner to remove any dust. Always check that the fridge is disconnected from the mains when doing this.

Remember to re-connect the mains plug and switch on after cleaning your fridge.

## Table top

This is designed to serve as an extra work surface, but be careful with it. Do not drop heavy objects on it and **do not sit or stand on it!**

## Going away

If you expect to be away for any length of time and don't want to use your fridge, switch off at the power point and pull out the plug. Remove all food and follow the defrosting instructions (pages 11 and 12). After defrosting wipe out the interior. Always leave the door ajar to prevent the accumulation of odours.

**How to replace the interior light**  
Should the light fail to work, **switch off and pull out the mains plug**, then ensure the bulb is screwed securely into the bulb holder. Replace the plug and switch on. If the light still fails to work, do not worry, it will not affect the working of your fridge. Obtain a replacement SES 15 Watt bulb from a local electrical retailer or your nearest Hotpoint Spares Centre and then fit it as follows:

1. **Switch off and pull out the mains plug.**
2. Remove the wire shelves to make access easier.
3. Slacken off the lamp guard, undoing the pozidrive retaining screw by one turn.
4. Unclip and remove the lamp guard.
5. Unscrew the old bulb and fit the new one.
6. Refit the lamp guard, ensuring that the two legs opposite the retaining screw fit into the holes.
7. Retighten the retaining screw.
8. Replace the plug and switch on.

# Caring for your Fridge

## Defrosting

### Why and When:

Frost build-up reduces the efficiency of your fridge. It can also make closing the frozen food compartment door difficult. This is why you **must** defrost your fridge regularly. We recommend that you defrost your fridge once a week. Frost will build up more quickly in your fridge if you leave the door open or put warm food into it.

**Never** try to chip the frost away as you can easily damage the refrigerated surfaces of the frozen food compartment.

### If you are not storing any frozen food

Defrosting is very simple. Just follow these steps:

1. Remove the ice cube tray.
2. Move anything being stored in the chiller tray to the fridge compartment.
3. Close both flaps on the chiller tray.
4. Press the coloured button in the centre of the temperature control dial; this switches the fridge off, it will restart automatically when defrosting is complete.
5. Leave the main door open if you want to defrost quickly, otherwise if heavily iced up the fridge could take 12 hours before automatically restarting.
6. After defrosting, empty the chiller tray. If the water in it has refrozen, don't worry, simply flex the tray and it will pop out.
7. Wipe out the chiller tray, dry it and reset the flaps to their original positions.
8. Replace the chiller tray and any food taken out of it.
9. Refill the ice cube tray and replace.
10. Job done!

### If you are storing frozen food

Defrosting must be carried out as quickly as possible, as follows:

1. Remove frozen foods, wrap in several layers of newspaper and put in the fridge compartment or a cool place.
2. Remove the ice cube tray.
3. Move anything being stored in the chiller tray to the fridge compartment.
4. Close both flaps on the chiller tray.
5. Turn the temperature control dial to 'O' (off).
6. Place a bowl of very hot water in the frozen food compartment.
7. Leave the main door open.
8. After defrosting, empty the chiller tray, wipe it out and dry it.
9. Reset the chiller tray flaps to their original positions.
10. Replace the chiller tray and any food taken out of it.
11. Remove the bowl from the frozen food compartment.
12. Reset the temperature control dial to its original position (see page 7).
13. Unwrap the frozen food and replace.
14. Refill the ice cube tray and replace.
15. Job done!

### Cleaning your fridge

It is a good idea to clean the inside of your fridge after defrosting. Always **switch off and pull out the mains plug first**. Wipe out the inside of the fridge using a clean cloth wrung out in a solution of either one teaspoonful of bicarbonate of soda to one pint of water or Milton diluted according to the manufacturer's instructions. The complete interior including the door, and removable parts, should be washed. The bottle and commodity racks and ice cube trays may be washed in a dishwasher, but only if

from 'O' (off) will start the fridge working. You will hear a noise as the compressor starts up.

### Running-in the compressor

The liquid and gases sealed within the refrigeration system may give rise to noise, whether the compressor is running or not. This is quite normal.

Your fridge is operated by a compressor which switches on and off in order to maintain the fridge's temperature. The compressor is a precision piece of machinery like a car engine, and requires a running-in period of up to 2 months. During this time the compressor has to work a little harder and this may result in more noise than usual.

**NOTE: Your fridge is designed only for domestic purposes; for the storage of fresh food; drinks and frozen food.**

## Controlling the

### Temperature

#### Frozen food compartment

The control dial, on the right-hand side of the fridge interior, controls the temperature in the frozen food compartment and is marked 'O' (off), 1, 2, 3 .... 9. Which setting is selected depends on how long you want to store frozen food.

Your fridge gives you a two star **☆☆** performance in the frozen food compartment. This is achieved by setting the control dial to 5 and allows you to store frozen food for up to one month. This is the most popular setting.

You can reduce running costs by opting for a one star **☆☆** setting. This is achieved by setting the control dial to 2 and allows you to store frozen food for up to one week.

#### Fridge compartment

The temperature of your fridge compartment changes when you alter the temperature of the frozen food compartment. It is also affected by the location of the fridge, how often you open the door and the room temperature.

The two flaps at the rear of the chiller tray control the amount of cold air that flows into the fridge compartment. The table below gives a guide to setting the chiller tray flaps.

The chiller tray must be pulled out of the fridge in order to adjust the flaps. If further adjustments are necessary, proceed as follows:

#### Fridge Compartment Too Warm:

Open one or both chiller tray flaps. If the fridge compartment is still too warm with both flaps open, turn the control dial clockwise to a colder setting (higher number).

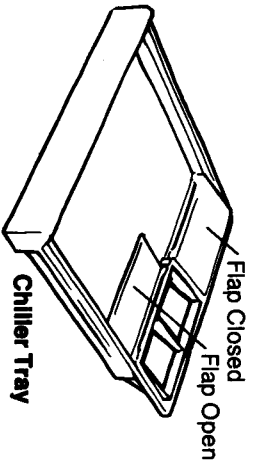
**Note: Settings above 5 will only be required if the room temperature is very warm.**

#### Fridge Compartment Too Cold:

Close one or both chiller tray flaps. If the fridge compartment is still too cold with both flaps closed, turn the control dial anti-clockwise to a warmer setting (lower number).

**NOTE: In the summer months, or in conditions giving high temperatures around the fridge, the compressor has to work harder and run for longer periods. This is quite normal. Conversely, during cold weather, the compressor will run for much shorter periods.**





A fridge/freezer thermometer Part No. 8058 is available to ensure that you maintain your appliance at the correct temperature. This can be ordered from your local Hotpoint Spares Centre (see back page) using the order form enclosed.

The temperature inside your refrigerator should be 5°C or less, though some sections such as the Salad Crisper will be warmer. Frequent door openings cause higher temperatures inside. If using a thermometer to check the temperature, it should be left overnight on the centre of the middle shelf and read immediately the door is initially opened the following morning. If the temperature reading is not between 0°C and 5°C then the controls should be adjusted accordingly or defrosting may be required.

**WARNING: DO NOT USE MERCURY FILLED THERMOMETER.**

Control Setting	Star Rating	Temperature	Suggested Flap Settings		
			Cool Room Temperature	Average Room Temperature	Warm Room Temperature
2	★	-6°C (21°F) or colder	1 Open 1 Closed	1 Open 1 Closed	Both Open
5	★★★	-12°C (10°F) or colder	Both Closed	Both Closed	1 Open 1 Closed

## Storing Food

You can store most fresh foods in your fridge. Recommended maximum storage times are given in the table below. Store meat, cooked meats, ham, sausage, milk products in the area just above the salad drawer; butter, eggs, preserves, cheese, margarines, etc. In the commodity racks on the door; convenience foods, baked items on the top and centre shelves; drinks in the bottle rack; fruit, vegetables, salad items in the salad bins. All foods should be wrapped or covered to prevent drying out and flavour transference. Plastic bags, containers with lids, foil and plastic stretch wrap are ideal. Never put hot or warm food into your fridge as this reduces efficiency.

	Days
<b>Raw fresh meat</b>	1
offal (liver, kidney etc)	1
minced meat, sausages	1
<b>Cooked meat</b>	1
cooked meat	1
<b>meat</b>	
made-up dishes and left-overs	1
<b>Poultry</b>	1
fresh, whole (store giblets separately)	1
cooked	1
giblets	1
<b>Fish</b>	1
raw	1
cooked	2
<b>Bacon</b>	2-8
joints (uncooked)	2-8
rashers	2-10
ham (unsmoked)	1-3
<b>Milk</b>	1-3
pasteurised and homogenized	1-3
<b>Cream</b>	2
fresh	2-10
yogurt, sour cream	14-28
<b>Butter</b>	14-28
<b>Margarine and cooking fats</b>	21-28
<b>Cheese</b>	7-28
hard	7-14
semi-hard, blue	7
cream, cottage	7-28
<b>Eggs</b>	1-3
shell	7-28
hard boiled	1-3
<b>Vegetables</b>	
prepared	2-14
vegetables	2-14
<b>Salad</b>	1-3

## Storing food in the frozen food compartment

You can store up to 3.7 kg (8.1 lb) in your frozen food compartment. Storage times depend on the setting you use and the type of food being stored. For best results always store pre-packed frozen foods in accordance with the frozen food manufacturer's instructions. Some packs will be marked with star markings matching those on the door of the frozen food compartment. Frozen food should be wrapped when bought and stored as soon as possible.

If you have set your frozen food compartment to give two star (★★) performance (setting 5 in normal conditions), you can store frozen food for the following approximate periods:

- Sensitive Fruits (e.g. Strawberries) ..... 2 weeks
- Fruits, Pastries, Dairy Products ..... 3 weeks
- Vegetables, Lean Meat, Ice Lollies ..... 4 weeks

The exact period will vary with the nature of food stored.

If your frozen food compartment is set to give one star (★) performance (setting 2) frozen food should not be stored for more than one week.

### Storing food in the chiller tray

You can store **fresh** food in the chiller tray, but you should remember three things:

- **Do not** allow it to touch the frozen food compartment or it will become stuck.
- It will tend to freeze as this is a very cold area.
- **Do not** attempt to store **frozen** food in this area, it is not cold enough to keep it fully frozen.



## **Key Contacts**

### **After Sales Service**

Over 1100 trained specialists, directly employed by us, ensure that you have complete confidence in both the appliances and services we offer.

### **Repair Service**

UK: 08709 066 066

(Open 8 to 8 Mon - Fri, 8 to 6 Sat & 10 to 4 Sun)

[www.theservicecentre.co.uk](http://www.theservicecentre.co.uk)

Republic of Ireland: 1850 302 200

Note: Our Service Operators will require the following information:

Model Number

Serial Number

### **Extended Warranties**

UK: 08709 088 088

(Open 8 to 6 Mon - Fri)

[www.theservicecentre.co.uk](http://www.theservicecentre.co.uk)

Republic of Ireland: 1850 502 200

### **Genuine Parts and Accessories**

UK: 08709 077 077

(Open 8-30 to 5-30 Mon - Fri, 8-30 to 12 Sat)

[www.theservicecentre.co.uk](http://www.theservicecentre.co.uk)

Republic of Ireland: (01) 842 6836

General Domestic Appliances Limited, Morley Way, Peterborough, PE2 9JB